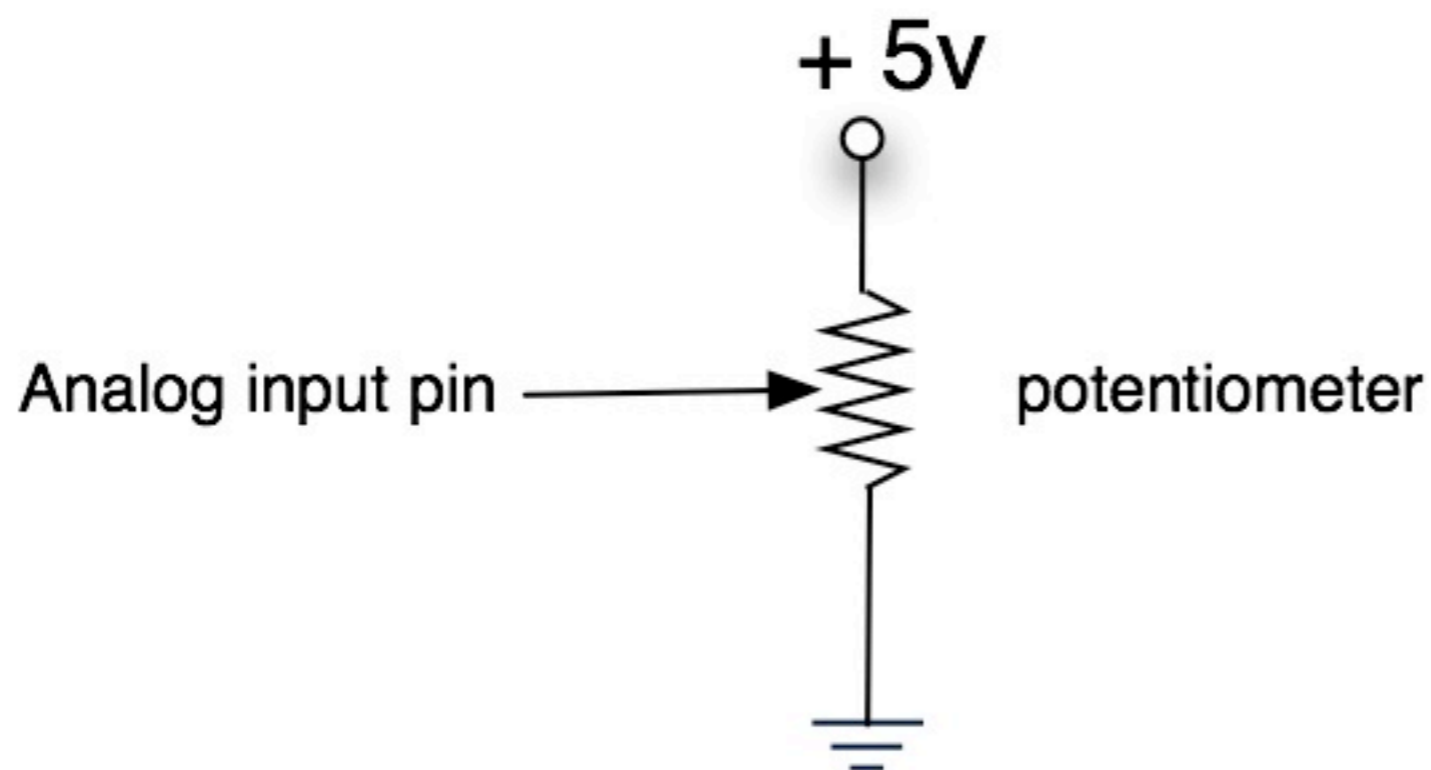
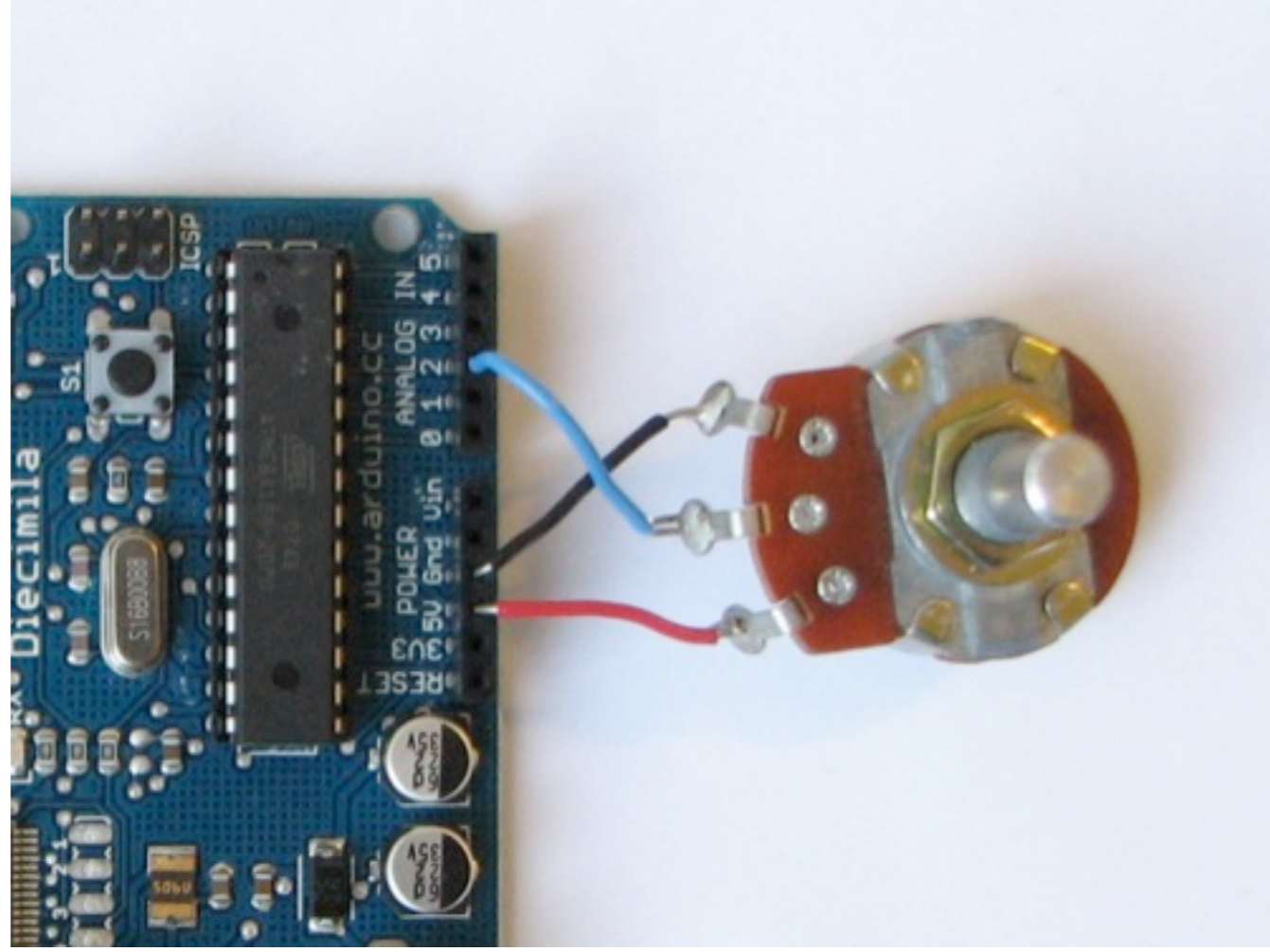
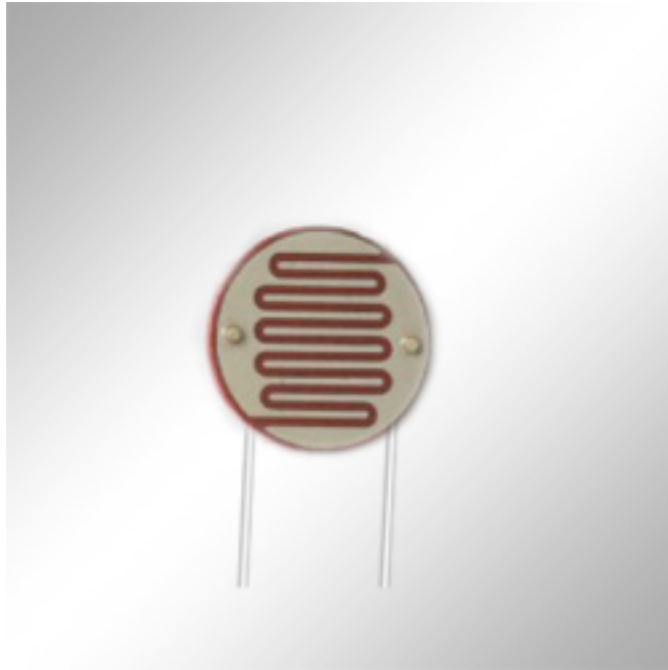


Potentiometer connected to the analog input of the arduino



```
analogRead(PotPin)
```





variable resistor input



`analogRead(PhotoSensorPin)`